

INITIAL RECEIPT

United States Department of the Interior
Bureau of Land Management
 DIV OF LANDS, MINRLS & ENERGY
 ONE N CENTRAL AVE
 PHOENIX, AZ 85004 -4427
 Phone: 602-417-9200

Receipt	
No:	4861101

Transaction #: 4989893
Date of Transaction: 01/12/2021
CUSTOMER:
BOB G MONROE RR 3 BOX 676 HENRYETTA,OK 74437-9347 US

LINE #	QTY	DESCRIPTION	REMARKS	UNIT PRICE	TOTAL
1	5.00	LOCATABLE MINERALS / MINING CLAIMS-NEW,UNADJUD, ONE OR MORE AUTH NOS / NEW MINING CLAIM PROCESSING FEE CASES: AMC462857/\$20.00, AMC462858/\$20.00, AMC462859/\$20.00, AMC462860/\$20.00, AMC462861/\$20.00		- n/a -	100.00
2	5.00	LOCATABLE MINERALS / MINING CLAIMS-NEW,UNADJUD, ONE OR MORE AUTH NOS / NEW MINING CLAIMS LOCATION FEE CASES: AMC462857/\$40.00, AMC462858/\$40.00, AMC462859/\$40.00, AMC462860/\$40.00, AMC462861/\$40.00		- n/a -	200.00
3	5.00	LOCATABLE MINERALS / MINING CLAIMS-NEW,UNADJUD, ONE OR MORE AUTH NOS / NEW MINING CLAIMS MAINTENANCE FEE CASES: AMC462857/\$165.00, AMC462858/\$165.00, AMC462859/\$165.00, AMC462860/\$165.00, AMC462861/\$165.00		- n/a -	825.00
TOTAL:					\$1,125.00

PAYMENT INFORMATION			
1	AMOUNT:	1125.00	POSTMARKED: N/A
	TYPE:	CHECK	RECEIVED: 01/12/2021
	CHECK NO:	5125	
	NAME:	MONROE, BOB G 21701 S 220 RD HENRYETTA OK 74437 US	

REMARKS

This receipt was generated by the automated BLM Collections and Billing System and is a paper representation of a portion of the official electronic record contained therein.

CORRESPONDENCE

TRANSFERS

MAINTENANCE FEES
WAIVERS
POL/NOI

MISCELLANEOUS

**LOCATION NOTICES
AMENDMENTS
STATUS SHEET
GEO REPORT/MTP**

MINING CLAIM STATUS REPORT - Assessment Year 2020

Data Entered: 1/19/2021

MTP Checked By: _____
 GEO Checked By: _____

LEAD SERIAL NUMBER: AMC 462857 thru AMC 462861

NUMBER OF CLAIMS & TYPE:

5 LODE
 _____ PLACER
 _____ ASSOCIATION PLACER
 _____ MILL SITE
 _____ TUNNEL SITE

CHARGES:

Processing Fee @ \$20 = \$ 100
 Location Fee @ \$40 = \$ 200
 Maintenance Fee @ \$165 = \$ 825
 Add'l Maint Fee for Assoc Placer = \$ _____
SUBTOTAL \$ _____
 Other Fees \$ _____
 Other Fees \$ _____
TOTAL \$ 1,125

TOTAL ACREAGE: _____ Per Claim
 (Placer Only)

NUMBER OF LOCATORS: _____

DOCUMENTS RECEIVED VIA: Over-the-Counter [] Mail [] TIMELY FILED: Yes [] No []

LEGAL DESCRIPTION:	T	<u>9N</u>	R	<u>2W</u>	SEC	<u>10</u>
	T	<u>10N</u>	R	<u>2W</u>	SEC	<u>35, 36</u>
	T	_____	R	_____	SEC	_____
	T	_____	R	_____	SEC	_____
	T	_____	R	_____	SEC	_____

BLM [] FOREST SERVICE [] SUBJ TO PL 359: Yes [] No []
 WILDERNESS AREA []

SPLIT ESTATE: N/A [] SX [] PX [] OTHER []
 SRHA [] Was proper Notice filed if located on SHRA Land? Yes [] No []

RECONVEYED MINERALS ON BLM LAND REQUIRE OPENING ORDER FROM 1944 TO 1993:
 Open to Entry On _____ N/A []

COMMENTS/STATUS: VOID [] PARTIALLY VOID [] PVT MINERALS [] WITHDRAWN LANDS []
 OTHER [] _____

[] Claimant acknowledges that portions of the following claim(s) site(s) may be void or voidable.

Printed Name of Claimant _____ Signature of Claimant _____

*****FINAL ADJUDICATION*****

DATE _____ INITIALS _____

AMC462857

2.6M



Send to:

LOCATION NOTICE FOR PLACER MINING CLAIM

Amendment BLM Serial # _____

NOTICE IS HEREBY GIVEN that the BOBBY GENE
_____ placer mining claim has been located by

Bobby G. Monroe whose current mailing
address is Rte 3 Box 676
Henneyetta OK 74437

RECEIVED
BLM STATE OFFICE
2021 JAN 12 A 8:05
PHOENIX, ARIZONA

BLM
Date
Stamp

The general course of this claim is North to South and it is situated in YAVAPAI
County, Arizona. This claim is 1320 feet in length and 660 feet in width.

20 Total Claim Acreage. This claim runs from the location monument on which this location notice is
posted at the NW corner of the claim approximately 1320 feet in a South direction to the
SW end line and 660 feet in a EAST direction to the SE end line. This claim is
marked by four monuments, one at each corner of the claim.

The location monument on which this notice is posted is situated within Section 10, Township
9 N, Range 2 W, Gila Salt River Base and Meridian, Arizona. This claim encompasses
portions of the following legal subdivision(s) if located by legal subdivision or the following quarter section(s),
section(s), Township(s) and Range(s) E 1/2 NW 1/4 SE 1/4 Sec 10
T9N R2W, Gila Salt River Base and Meridian, Arizona.

The locality of this claim with reference to some natural object or permanent monument and additional information
(if any) concerning its locality are as follows: 2640' West 2640' South
OF COMMON CORNERS 2, 3, 10, 11

The above information is shown on the attached map.

DATED AND POSTED on the ground this 6th day of December, 2020

LOCATOR(s) AGENT

Print Name(s) Bobby G. Monroe

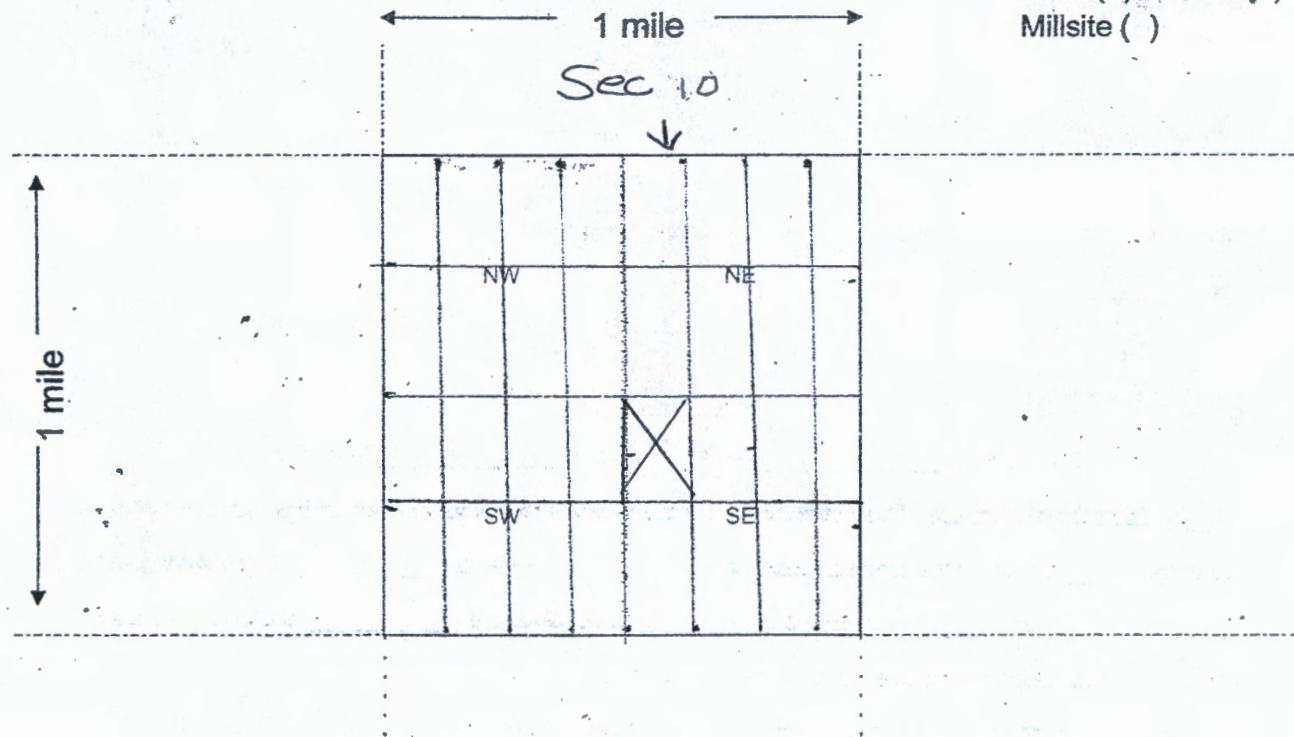
Signature(s) Bobby G. Monroe

Form MCF102
Revised July 2014

AMC462857

MINING CLAIM MAP

Lode () Placer
 Millsite ()



Scale: 1" = 2000 feet



1. The above map depicts the BOBBY GENE mining claim, which is located in Section (s) 10, Township _____, Range _____, Gila and Salt River Base and Meridian, YAVAPAI County, Arizona. Total claim acreage is 20
2. The type of corner and location monuments used are as follows: 2" PVC PIPE
With CAPS
3. The bearings and distances in degrees and feet between claim corners and to a public land survey monument are as depicted on the map.
4. If the claim is a placer or millsite claim with exterior limits conforming to legal subdivisions of the public survey, provide a legal description of the claim _____

Form MCF100a
 Revised July 2014

2LM



Send to:

LOCATION NOTICE FOR PLACER MINING CLAIM

Amendment BLM Serial # _____

NOTICE IS HEREBY GIVEN that the DONA Mine
_____ placer mining claim has been located by

Bobby G. Monroe whose current mailing
address is Rte 3 Box 676

Henryetta OK 74437

RECEIVED
BLM AZ STATE OFFICE
2021 JAN 12 A 8:05
PHOENIX, ARIZONA
BLM
Date
Stamp

The general course of this claim is West to EAST and it is situated in YAVAPAI
County, Arizona. This claim is 1320 feet in length and 660 feet in width.

20 Total Claim Acreage. This claim runs from the location monument on which this location notice is
posted at the NW corner of the claim approximately 1320 feet in a EAST direction to the
NE end line and 660 feet in a South direction to the SE end line. This claim is
marked by four monuments, one at each corner of the claim.

The location monument on which this notice is posted is situated within Section 10, Township
9 N, Range 2 W, Gila Salt River Base and Meridian, Arizona. This claim encompasses
portions of the following legal subdivision(s) if located by legal subdivision or the following quarter section(s),
section(s), Township(s) and Range(s) S 1/2 SW 1/4 NE 1/4 Sec 10
T9N R2W, Gila Salt River Base and Meridian, Arizona.

The locality of this claim with reference to some natural object or permanent monument and additional information
(if any) concerning its locality are as follows: 2640' WEST 1980' South
COM MON CORNERS 2, 3, 10, 11

The above information is shown on the attached map.

DATED AND POSTED on the ground this 6th day of December, 2020.

LOCATOR(s) AGENT

Print Name(s) Bobby G. Monroe

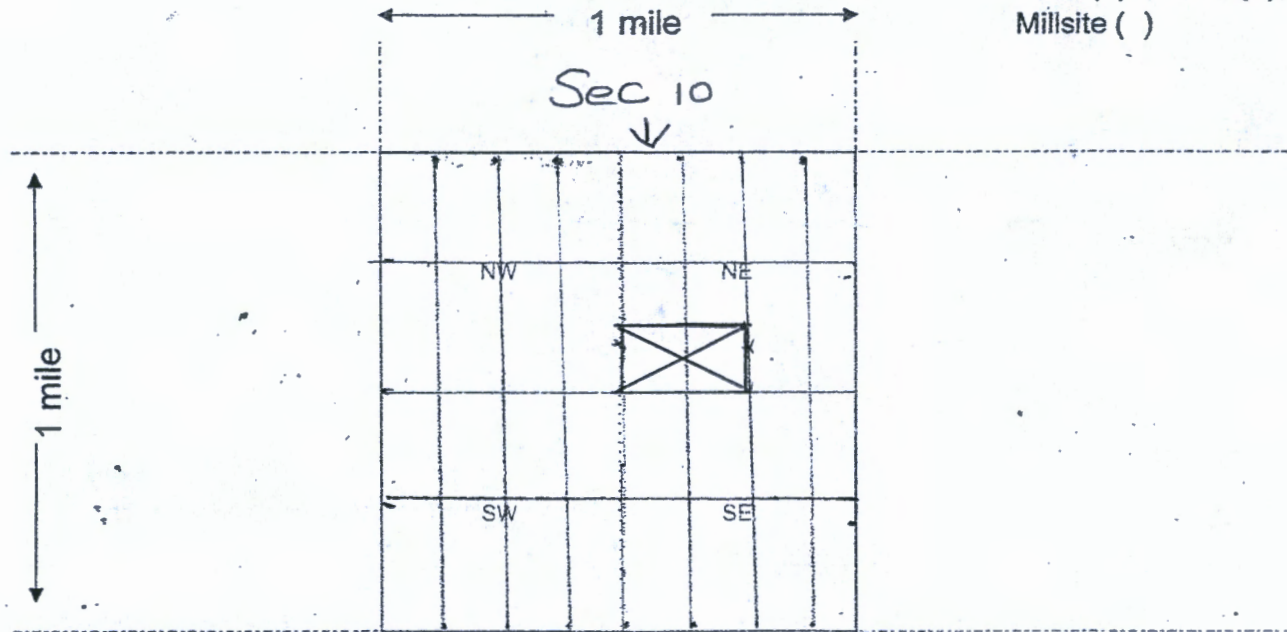
Signature(s) Bobby G. Monroe

Form MCF102
Revised July 2014

AN C 4 6 2 8 5 8

MINING CLAIM MAP

Lode () Placer
 Millsite ()



Scale: 1" = 2000 feet



1. The above map depicts the DONA MINE mining claim, which is located in Section (s) 10, Township 9 N, Range 2 W, Gila and Salt River Base and Meridian, YAVAPAI County, Arizona. Total claim acreage is 20

2. The type of corner and location monuments used are as follows: 2" PVC PIPE
With CAPS

3. The bearings and distances in degrees and feet between claim corners and to a public land survey monument are as depicted on the map.

4. If the claim is a placer or millsite claim with exterior limits conforming to legal subdivisions of the public survey, provide a legal description of the claim _____

Form MCF100a
 Revised July 2014

2LM



Send to:

LOCATION NOTICE FOR PLACER MINING CLAIM

Amendment BLM Serial # _____

NOTICE IS HEREBY GIVEN that the Ranchers Gold I

_____ placer mining claim has been located by

→ Bobby G. Monroe whose current mailing

address is Rte 3 Box 676

Hennyetta OK 74437

RECEIVED
BLM AZ STATE OFFICE
2021 JAN 12 A 8:05
PHOENIX, ARIZONA

BLM
Date
Stamp

The general course of this claim is West to EAST and it is situated in YAVAPAI County, Arizona. This claim is 1320 feet in length and 660 feet in width.

20 Total Claim Acreage. This claim runs from the location monument on which this location notice is posted at the NW corner of the claim approximately 1320 feet in a EAST direction to the NE end line and 660 feet in a South direction to the SE end line. This claim is marked by four monuments, one at each corner of the claim.

The location monument on which this notice is posted is situated within Section 35, Township 10 N, Range 2 W, Gila Salt River Base and Meridian, Arizona. This claim encompasses portions of the following legal subdivision(s) if located by legal subdivision or the following quarter section(s), section(s), Township(s) and Range(s) N 1/2 NE 1/4 SE 1/4 Sec 35
T10N R2W, Gila Salt River Base and Meridian, Arizona.

The locality of this claim with reference to some natural object or permanent monument and additional information (if any) concerning its locality are as follows: 1320' W 2640' N OF the
COMMON CORNERS Sec's 35, 36, 2, 1

The above information is shown on the attached map.

DATED AND POSTED on the ground this 6th day of December, 2020.

LOCATOR(s) AGENT

Print Name(s) Bobby G. Monroe

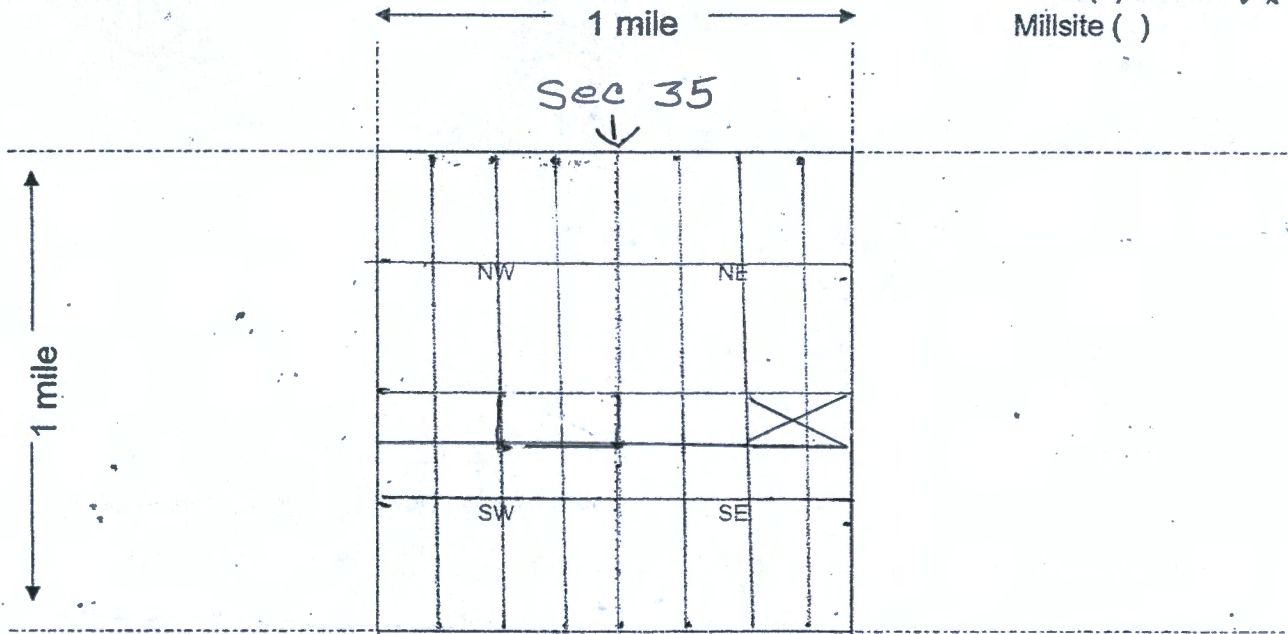
Signature(s) Bobby G. Monroe

Form MCF102
Revised July 2014

AMC462859

MINING CLAIM MAP

Lode () Placer
 Millsite ()



Scale: 1" = 2000 feet



- The above map depicts the RANCHERS Gold I mining claim, which is located in Section (s) 35, Township 10 N, Range 2 W, Gila and Salt River Base and Meridian, YAVAPAI County, Arizona. Total claim acreage is 20.
- The type of corner and location monuments used are as follows: 2" PVC PIPE WITH CAPS
- The bearings and distances in degrees and feet between claim corners and to a public land survey monument are as depicted on the map.
- If the claim is a placer or millsite claim with exterior limits conforming to legal subdivisions of the public survey, provide a legal description of the claim _____

Form MCF100a
 Revised July 2014

2LM



Send to:

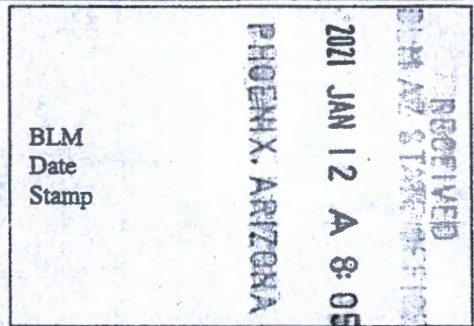
LOCATION NOTICE FOR PLACER MINING CLAIM

Amendment BLM Serial # _____

NOTICE IS HEREBY GIVEN that the RANCHERS Gold 2
_____ placer mining claim has been located by

Bobby G. Monroe whose current mailing
address is Rte 3 Box 676

Henlyetta OK 74437



The general course of this claim is West to East and it is situated in YAVAPAI
County, Arizona. This claim is 1320 feet in length and 660 feet in width.

20 Total Claim Acreage. This claim runs from the location monument on which this location notice is
posted at the NW corner of the claim approximately 1320 feet in a EAST direction to the
NE end line and 660 feet in a South direction to the SE end line. This claim is
marked by four monuments, one at each corner of the claim.

The location monument on which this notice is posted is situated within Section 36, Township
10 N, Range 2 W, Gila Salt River Base and Meridian, Arizona. This claim encompasses
portions of the following legal subdivision(s) if located by legal subdivision or the following quarter section(s),
section(s), Township(s) and Range(s) S 1/2 NW 1/4 SW 1/4 Sec 36
TION R 2 W, Gila Salt River Base and Meridian, Arizona.

The locality of this claim with reference to some natural object or permanent monument and additional information
(if any) concerning its locality are as follows: 1980' N COMMON CORNERS
Sec's 35, 36, 2, 1

The above information is shown on the attached map.

DATED AND POSTED on the ground this 6th day of December, 2020.

LOCATOR(s) AGENT

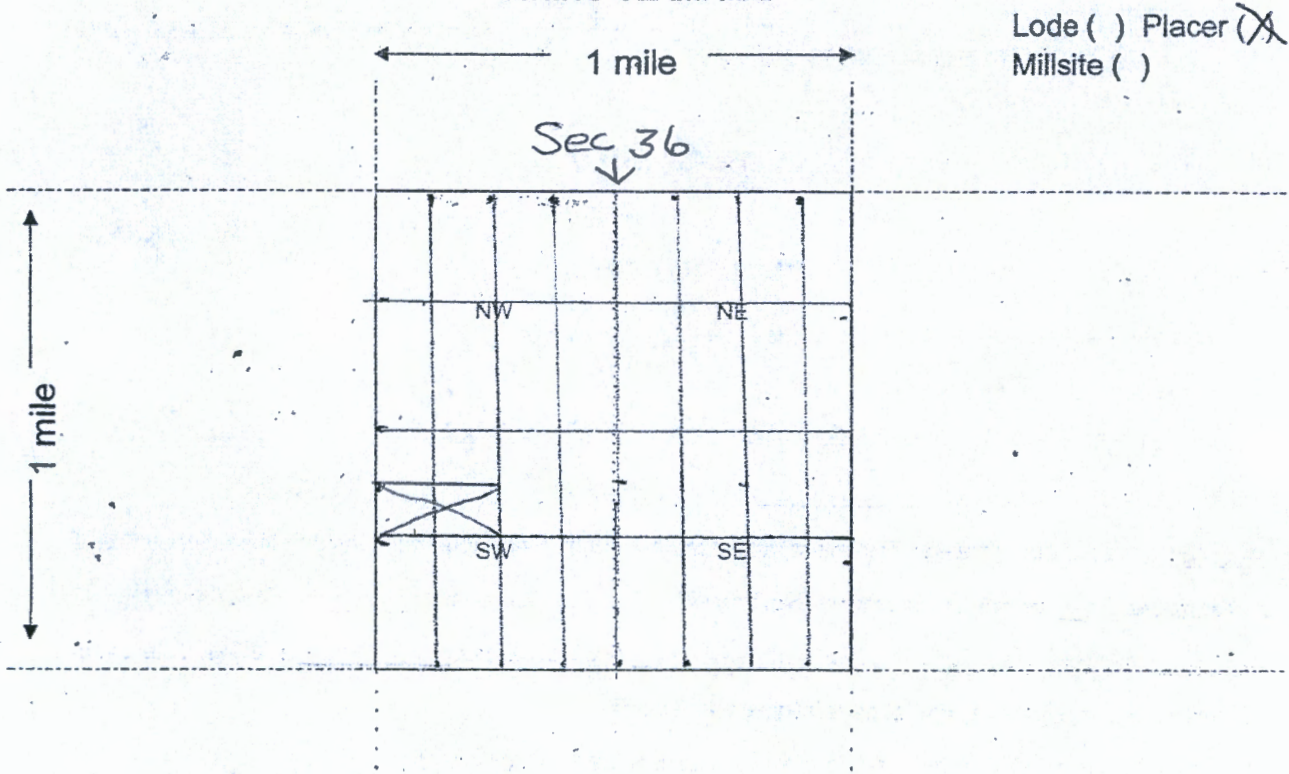
Print Name(s) Bobby G. Monroe

Signature(s) Bobby G. Monroe

Form MCF102
Revised July 2014

AMC462860

MINING CLAIM MAP



Scale: 1" = 2000 feet



1. The above map depicts the RANCHERS Gold 2 mining claim, which is located in Section (s) 36, Township 10 N, Range 2 W, Gila and Salt River Base and Meridian, YAVAPAI County, Arizona. Total claim acreage is 20
2. The type of corner and location monuments used are as follows: 2" PVC PIPE WITH CAPS
3. The bearings and distances in degrees and feet between claim corners and to a public land survey monument are as depicted on the map.
4. If the claim is a placer or millsite claim with exterior limits conforming to legal subdivisions of the public survey, provide a legal description of the claim _____

Form MCF100a
Revised July 2014

244



Send to

LOCATION NOTICE FOR PLACER MINING CLAIM

Amendment BLM Serial # _____

NOTICE IS HEREBY GIVEN that the RANCHERS GOLD 3

placer mining claim has been located by

Bobby G. Monroe whose current mailing

address is Rte 3 Box 676

HENNYETTA OK 74437

RECEIVED
BLM STAR OFFICE
2021 JAN 12 A 8:04
PHOENIX, ARIZONA
BLM
Date
Stamp

The general course of this claim is WEST TO EAST and it is situated in YAVAPAI County, Arizona. This claim is 1320 feet in length and 660 feet in width.

20 Total Claim Acreage. This claim runs from the location monument on which this location notice is posted at the NW corner of the claim approximately 1320 feet in a EAST direction to the NE end line and 660 feet in a South direction to the SE end line. This claim is marked by four monuments, one at each corner of the claim.

The location monument on which this notice is posted is situated within Section 36, Township 10 N, Range 2 W, Gila Salt River Base and Meridian, Arizona. This claim encompasses portions of the following legal subdivision(s) if located by legal subdivision or the following quarter section(s), section(s), Township(s) and Range(s) N 1/2 SE 1/4 SW 1/4 Sec 36
T10N R2W, Gila Salt River Base and Meridian, Arizona.

The locality of this claim with reference to some natural object or permanent monument and additional information (if any) concerning its locality are as follows: 1320' E 1320' N OF COMMON CORNERS Secs 1, 2, 35, 36

The above information is shown on the attached map.

DATED AND POSTED on the ground this 6th day of DECEMBER, 2020.

LOCATOR(s) AGENT

Print Name(s) Bobby G. Monroe

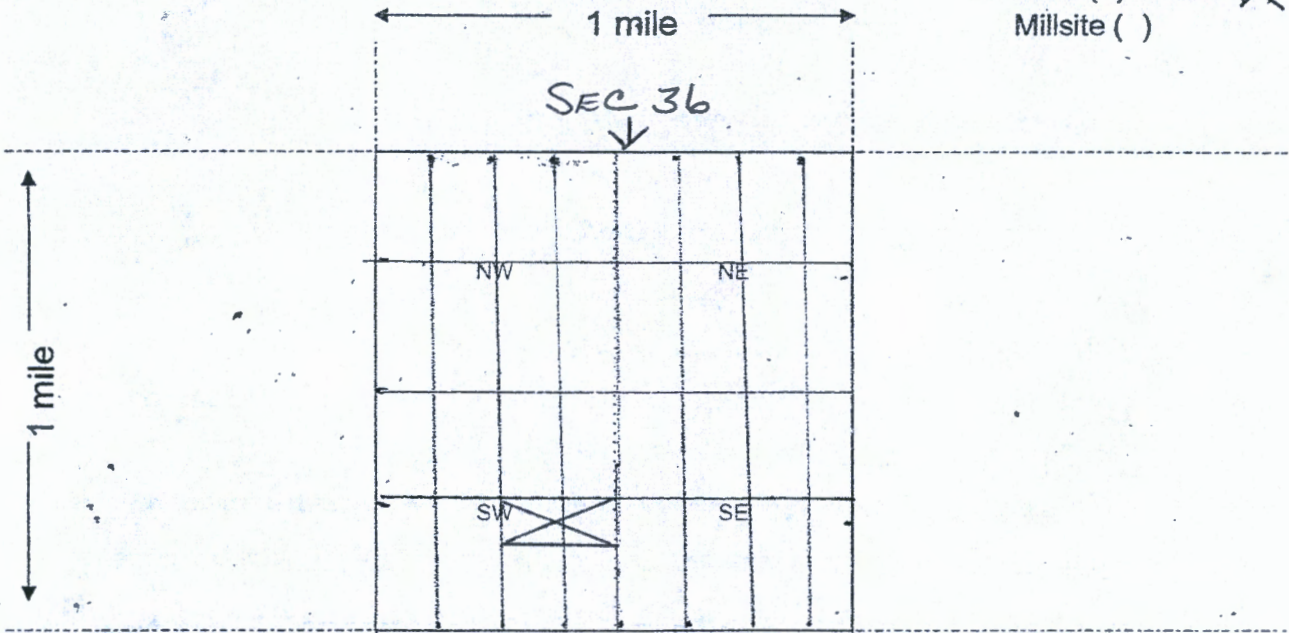
Signature(s) Bobby G. Monroe

Form MCF102
Revised July 2014

AMC462861

MINING CLAIM MAP

Lode () Placer
Millsite ()



Scale: 1" = 2000 feet



1. The above map depicts the RANCHERS Gold 3 mining claim, which is located in Section (s) 36, Township 10 N, Range 2 W, Gila and Salt River Base and Meridian, YAVAPAI County, Arizona. Total claim acreage is 20
2. The type of corner and location monuments used are as follows: 2" PVC PIPE WITH CAPS
3. The bearings and distances in degrees and feet between claim corners and to a public land survey monument are as depicted on the map.
4. If the claim is a placer or millsite claim with exterior limits conforming to legal subdivisions of the public survey, provide a legal description of the claim _____

Form MCF100a
Revised July 2014

Date and Time Run:
1/29/2021 9:41:59 AM

Page 1 of 1

DEPARTMENT OF THE INTERIOR
BUREAU OF LAND MANAGEMENT
Case Recordation

Geographic Report with Land

Disposition is equal to **AUTHORIZED , CANCELLED , EXPIRED , PENDING , REJECTED , RELINQUISHED ,
WITHDRAWN**

and Meridian Township Range Section is equal to 14 0090N 0020W 010

and Admin State is equal to AZ

**NO WARRANTY IS MADE BY BLM
FOR USE OF THE DATA FOR
PURPOSES NOT INTENDED BY BLM**

DEPARTMENT OF THE INTERIOR
BUREAU OF LAND MANAGEMENT
Case Recordation
Geographic Report with Land

Admin State: AZ
Geo State: AZ
Serial Number: AZA 023085BP

Total Case Acres: 2,694.804

Casetype	Case Disp	Mer	Twp	Rng	Sec	Sur Type	Sur Nr	Suf	Subdivision	Pending Action
220100	AUTHORIZED	14	0090N	0020W	010	ALIQ			NE;	

Admin State: AZ
Geo State: AZ
Serial Number: AZA 036334

Total Case Acres: 1.000

Casetype	Case Disp	Mer	Twp	Rng	Sec	Sur Type	Sur Nr	Suf	Subdivision	Pending Action
380913	EXPIRED	14	0090N	0020W	010	FF			NW(PART);	



LR2000 Internal

CR Geographic Report with Land

Download User Guide (pdf)

Purpose: This report produces a geographic listing of case information based on retrieval by Meridian/Township/Range. This report format will display the case type, case disposition, meridian, township, range, section, survey type, survey number, surface management agency, pending actions, serial number, and total case acres.

To refresh the query, do a **Ctrl-R**. It resets the page and clears any criteria fields that may have entries.



No Results

The specified criteria didn't result in any data. This is often caused by applying filters and/or selection steps that are too restrictive or that contain incorrect values. Please check your analysis filters and selection steps, and try again. The filters or selection steps currently being applied are shown below.

Filters

Disposition is equal to **AUTHORIZED, CANCELLED, EXPIRED, PENDING, REJECTED, RELINQUISHED, WITHDRAWN**
and Meridian Township Range Section is equal to **14 0100N 0020W 035**
and Admin State is equal to **AZ**

Return - Refresh



LR2000 Internal

CR Geographic Report with Land

Download User Guide (pdf)

Purpose: This report produces a geographic listing of case information based on retrieval by Meridian/Township/Range. This report format will display the case type, case disposition, meridian, township, range, section, survey type, survey number, surface management agency, pending actions, serial number, and total case acres.

To refresh the query, do a **Ctrl-R**. It resets the page and clears any criteria fields that may have entries.



No Results

The specified criteria didn't result in any data. This is often caused by applying filters and/or selection steps that are too restrictive or that contain incorrect values. Please check your analysis filters and selection steps, and try again. The filters or selection steps currently being applied are shown below.

Filters

Disposition is equal to **AUTHORIZED, CANCELLED, EXPIRED, PENDING, REJECTED, RELINQUISHED, WITHDRAWN**
and Meridian Township Range Section is equal to **14 0100N 0020W 036**
and Admin State is equal to **AZ**

Return - Refresh

Bobby G. Monroe
21701 S. 220 Rd
Henryetta, OK 74

CERTIFIED MAIL®



OK 740
DEC 2020 PM



UNITED STATES POSTAGE
PITNEY BOWES
02 1P \$007.10⁰
0004718974 DEC 31 2020
MAILED FROM ZIP CODE 74460

7018 0360 0002 1844 5072

Arizona State Office
One North Central Avenue
Ste. 800
Phoenix, AZ 85004 - 4427

ELMAL STATE OFFICE

2021 JAN 12 A 8:05

PHOENIX, ARIZONA

85004-442700

